

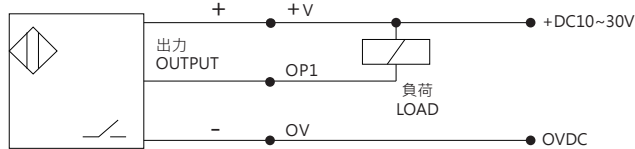


- 近接開關是選購品。
- The proximity switch is optional.

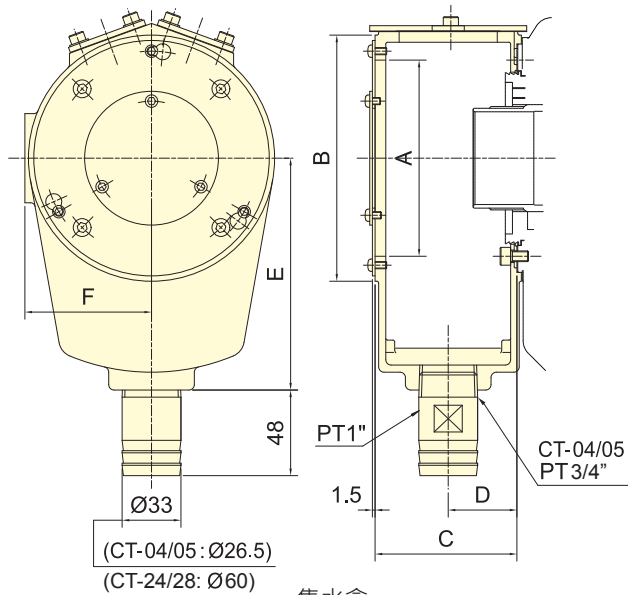
型式	電壓	負荷容量	輸出規格
Model	Power supply	Switching cap.	Output type
IFS287 (IFM)	DC 10/30V	100mA	NPN

■ 端子連接 Terminal Connections

型式 Model	+V	OP1	OV
IFS287 (IFM)	棕 BROWN	黑 BLACK	藍 BLUE

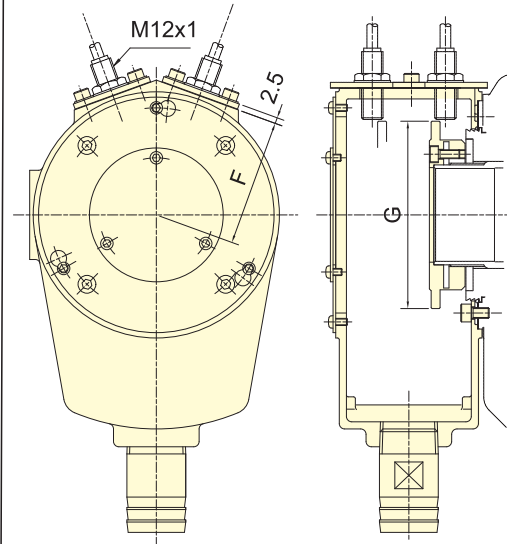


### CT



集水盒  
Coolant Collector

### CT-S



集水盒與檢出環  
Coolant Collector with Detecting Ring

保留規格修改的權利  
Subject to technical changes

### 外型尺寸 DIMENSIONS

Model	A	B	C	D	E	F	G	重量 Weight (kg)		適用迴轉缸
								CT	CT-S	Matching cyl.
CT-04/CT-04S	87	110	60	29	110	57	79	0.9	1.1	TH-428
CT-05/CT-05S(TH)	87	110	60	29	110	57	84	0.9	1.1	TH-A536
CT-05/CT-05S(TK)	87	110	60	29	110	57	84	0.9	1.1	TK-A528, TK-A533
CT-06/CT-06S	100	125	74	36	120	64.5	94	1.2	1.6	TK-C643, TK-A646, TK-B646, TK-C646, TR-646
CT-08/CT-08S	110	138	80	39	130	71	105	1.3	1.8	TK-B846, TK-A853, TK-B853
CT-K10/CT-K10S	158	185	88	43	160	94.5	145	1.9	2.6	TK-1068, TK-A1075, TK-A1078
CT-12/CT-12S	158	185	88	43	160	94.5	145	1.9	2.6	TK-A1287, TK-A1291
CT-15/CT-15S	206	235	100	50	210	121	190	3.1	4.3	TK-A1511, TK-A1512
CT-21/CT-21S	226	255	100	50	210	131	210	3.3	4.6	TK-2114
CT-24/CT-24S	250	270	100	50	230	154	248	3.5	5.5	TK-2416, TK-2416L
CT-28/CT-28S	310	330	100	50	260	181	305	4.3	7.2	TK-2820